



Product Quotation

7000 Apple Tree Ave.
Bergen NY 14416
Phone: 800-543-2550
Fax: 585-494-1839

Quote # **EPS100082 Rev A**
By **Dominic Ligammari**
Date **September 26, 2022**

To: _____ **Job:** _____

Hilltop Heating **Lift Station**

Attention: _____

Bob Fiorini

Preassembled Simplex Sewage System **Model # EPS100082 Rev A**

Qty	Item/Description
1	LE41M-2 Sewage pump, 4/10 HP, 115 V, 1 phase, capacities of 142 GPM, heads to 21' TDH, 25' power cord
1	SXL24=3 NEMA 4X simplex control panel including three floats, aux. contacts, and integral audio/ visual high level alarm
1	30" dia. X 72" H fiberglass basin with Fiberglass anti-floatation flange with 2" side discharge. 2" Female Threaded PVC discharge coupling.
1	30" Blank Fiberglass cover
1	Guide rail assembly, including GR22-S guide rail, 1-1/4" galvanized steel rails, s/s lifting chain, etc.
1	(1) 3" Unmounted inlet hub
1	Miscellaneous hardware and plumbing, including PVC ball valve, float bracket, PVC discharge pipe etc.
1	JB70 junction box, with watertight cable connectors and 2" conduit coupling
1	Labor & Fabrication

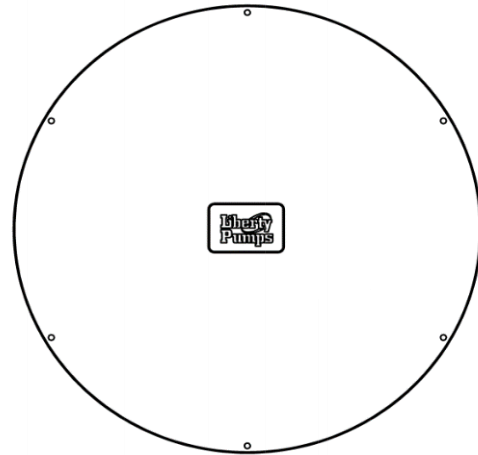
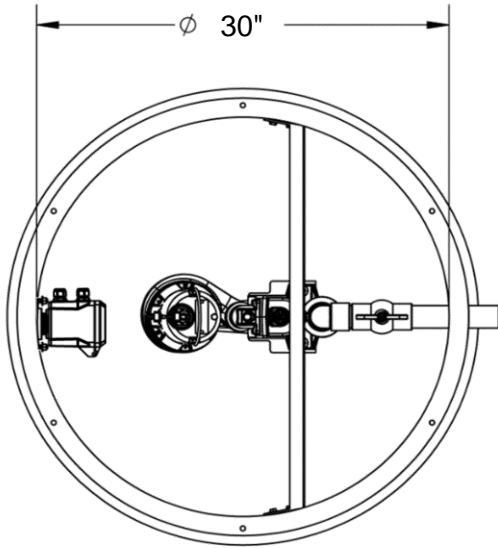
Subject to approval, pump performance and materials of construction may vary. Please consult factory and / or product literature for actual performance and material of construction. Pump system startup not included on this quote, to be provided by others.

Warranty 3 Years
Freight Prepaid on orders over \$3000.00 Net US for standard shipments.
Jobsite deliveries may require additional charges
Shipment *Please check with factory before ordering for current lead times*
Returns Will incur a 25% restocking fee (custom items incur a 100% restocking fee)
Price Quoted prices valid for 30 days

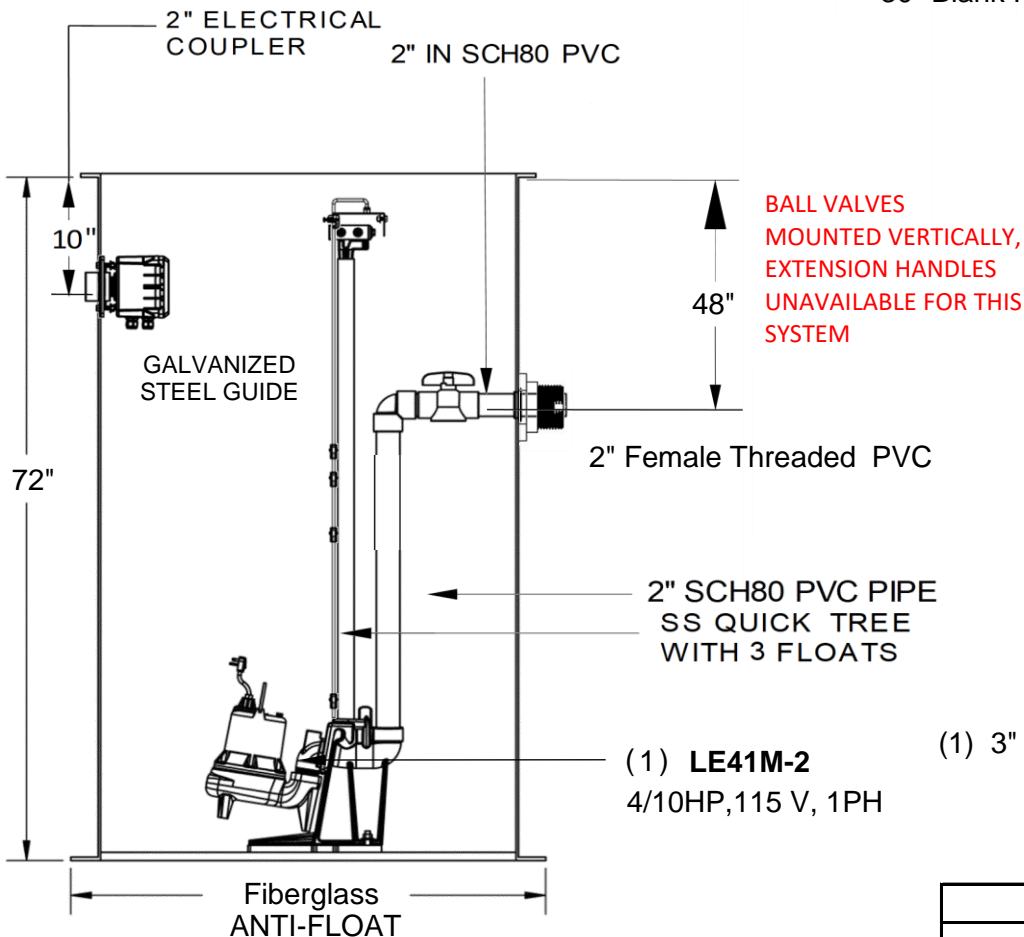
****NOTE: LIFTER CHAINS AND FLOATS NOT SHOWN. PUMPS SHIPPED SEPARATELY TO PREVENT SYSTEM DAMAGE**

EPS100082

30X72 SIMPLEX LE41M-2
SEWAGE SYSTEM



30" Blank Fiberglass cover



26-September-202211:37 AM

Fiberglass Tank dimension tolerance(s): +/- 1"

Custom items are non-cancelable once order is placed. 100% restocking fee applies

PROPRIETARY AND CONFIDENTIAL

THE INFORMATION CONTAINED IN THIS DRAWING IS THE SOLE PROPERTY OF LIBERTY PUMPS. ANY REPRODUCTION IN PART OR AS A WHOLE WITHOUT THE WRITTEN PERMISSION OF LIBERTY PUMPS IS PROHIBITED.



7000 APPLE TREE AVENUE
BERGEN, N.Y. 14416
(585) 494-1817

QUOTED PROVIDED BY: D. LIGAMMARI

DO NOT SCALE DRAWING

REVISION: A

CUSTOMER APPROVAL

DATE:

NAME(PRINT):

NAME(SIGN):

FINAL CONFIGURATIONS MAY VARY SLIGHTLY FROM THE ILLUSTRATIONS ON THIS PRINT



(1) 3" Unmounted inlet SXL24=3

(1) LE41M-2
4/10HP, 115 V, 1PH